

- Ruggedly Built
- Moistureproof
- Heavy-Duty Silicone Treated Movement
- Engineered to Reduce Maintenance Costs

MARSH

NEW RIG-MASTER

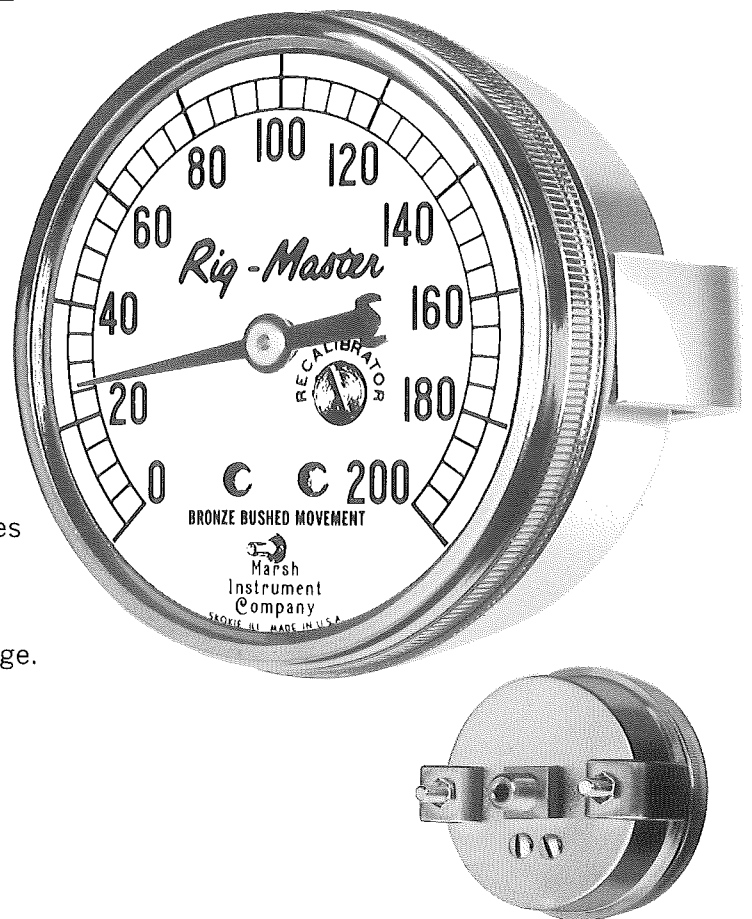
The new Marsh Rig-Master is engineered for one purpose: to help reduce costly rig maintenance. Here's a rugged gauge that can stand up to the constant vibration, exposure to corrosive elements and moisture problems of everyday rig operation. The semi-flush case is designed to fit almost every rig panel.

The chrome plated, cast brass case is built to take plenty of abuse as well as resist corrosion. The heavy-duty bronze bushed movement is accurate—and stays that way—being specially silicone treated to withstand drilling vibrations and road-moving shock.

Moisture stays out, too, even when hosing down the rig. The screwed ring and heavy beveled glass are gasket sealed. The case is also sealed in back, preventing oil from seeping into the case through the case screws and socket opening.

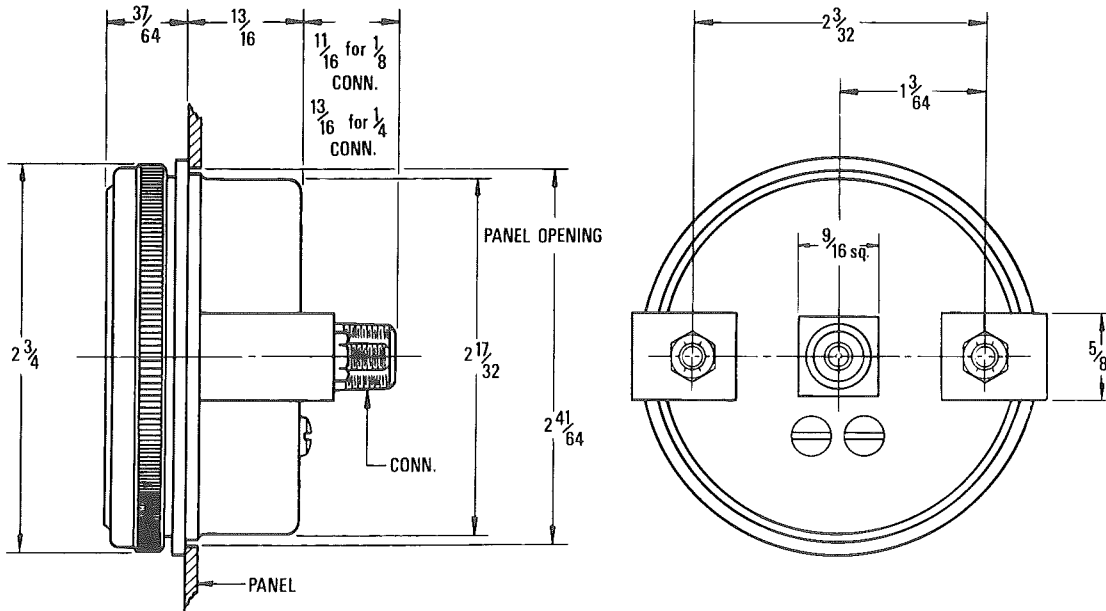
In addition, the new Rig-Master features the exclusive Marsh Recalibrator. The Recalibrator insures accurate pressure reading for the life of the gauge. If, for any reason, the Rig-Master should be out of calibration, original accuracy can be restored by a simple turn of the Recalibrator screw on the front of the gauge.

Accuracy of the gauge is within 2 per cent of full range.



MARSH

NEW RIG-MASTER



SPECIFICATIONS

Size: 2½".

Type and Case: Type 1 CSFMSR—cast brass semi-flush case and brass screwed ring. Case and ring are chrome plated. U-clamps and beveled glass. Moistureproof construction.

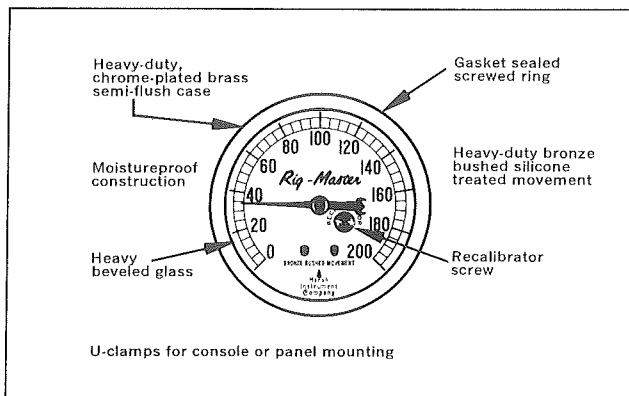
Movement: Standard with Recalibrator and bronze bushed, silicone

treated movement.

Connections: ⅛" or ¼" NPT center back connection.

Dial: White dial, black printing. Marked Rig-Master in script.

Internal Construction: Copper alloy Bourdon tube with brass tip and socket.



Ranges and ordering numbers

Pressure Range	1/8" NPT Center Back	1/4" NPT Center Back
0-30" Vacuum	No. 023-701	No. 023-702
0-15 PSI	No. 023-705	No. 023-706
0-30 PSI	No. 023-711	No. 023-712
0-60 PSI	No. 023-715	No. 023-716
0-100 PSI	No. 023-718	No. 023-719
0-160 PSI	No. 023-721	No. 023-722
0-200 PSI	No. 023-725	No. 023-726

MARSH

MARSH INSTRUMENT COMPANY

Division of Colorado Manufacturing Corporation, Skokie, Illinois 60076. Warehouses and sales offices in principal cities.